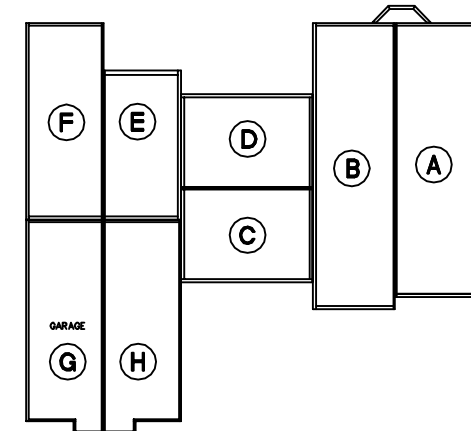
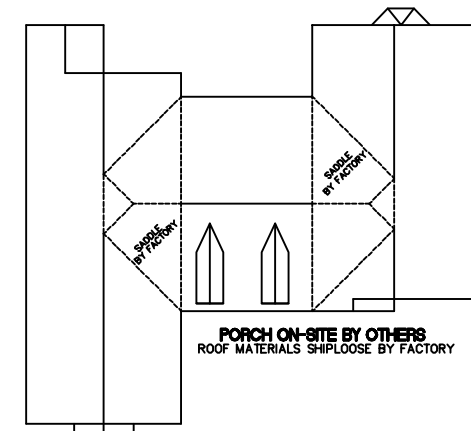


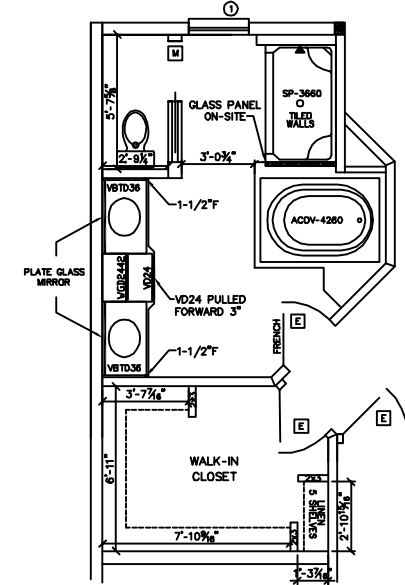
BOX KEY PLAN



ROOF KEY PLAN



OPTIONAL MASTER BATH



WEB SITE:
EXCELHOMES.COM

COPYRIGHT © 2006

THIS DOCUMENT AND THE SUBJECT MATTER CONTAINED HEREIN IS PROPRIETARY AND MAY NOT BE REPRODUCED WITHOUT THE WRITTEN PERMISSION OF EXCEL HOMES LLC

CUSTOMER/PROJECT:	BUILDER:
-------------------	----------

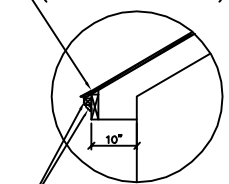
REV#	DATE	REVISIONS	BY	CHECKED BY:

DRAWN BY: DATE: SCALE: 1/8" = 1'-0"

FILE:	SQ.FT.: 2,760
STATE:	TYPE:
MODEL:	AFTON VILLA
DRAWING:	1ST FLOOR PLAN
SHEET:	2

FIREPLACE CHASE SUPPLIED AND COMPLETED ON-SITE BY OTHERS.

EXTENDED ROOF DECKING BY FACTORY ~~RECOMMENDED~~ (TO COVER ON-SITE TRIM)

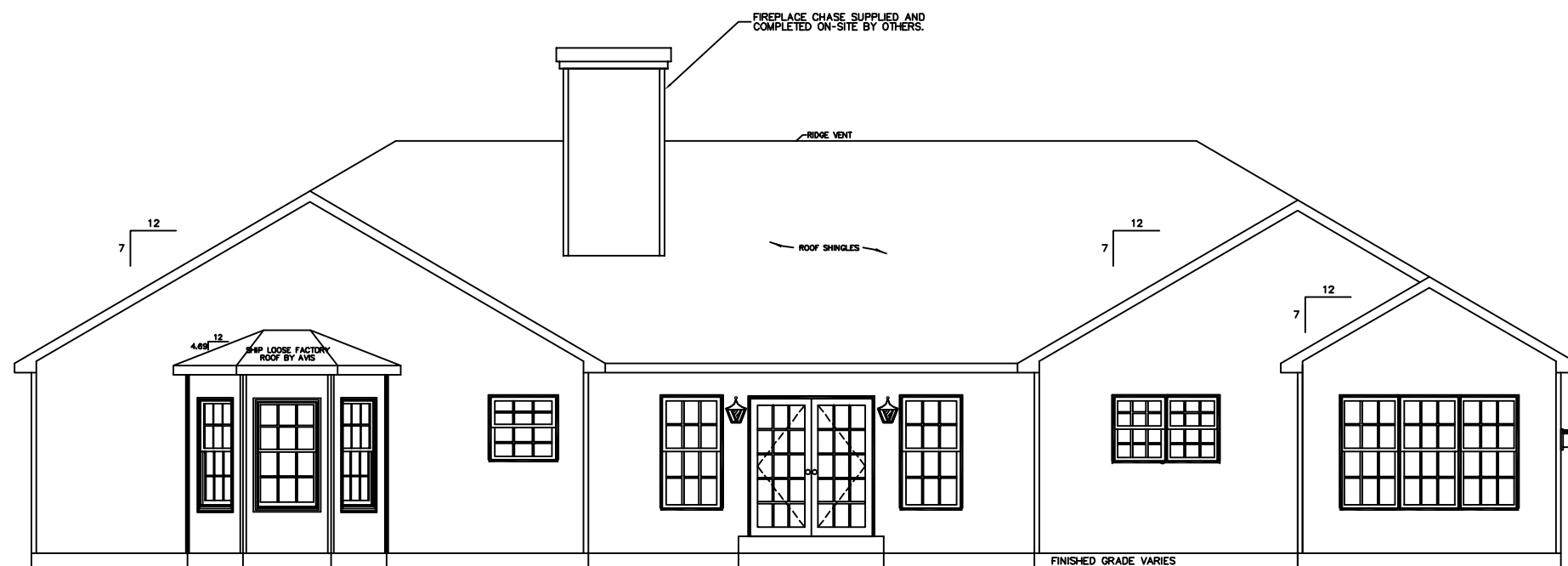


FYPON CROWN (MLD455-12) AND 2X2 MEMBER SUPPLIED AND INSTALLED ON-SITE BY OTHERS



FRONT ELEVATION

ROOF PITCHES -
 MAIN ROOF - 7/12
 GARAGE/PORCH ROOF - 7/12
 BUMPOUT - 7/12
 DORMER - 9/12



REAR ELEVATION



WEB SITE:
EXCELHOMES.COM

COPYRIGHT © 2006

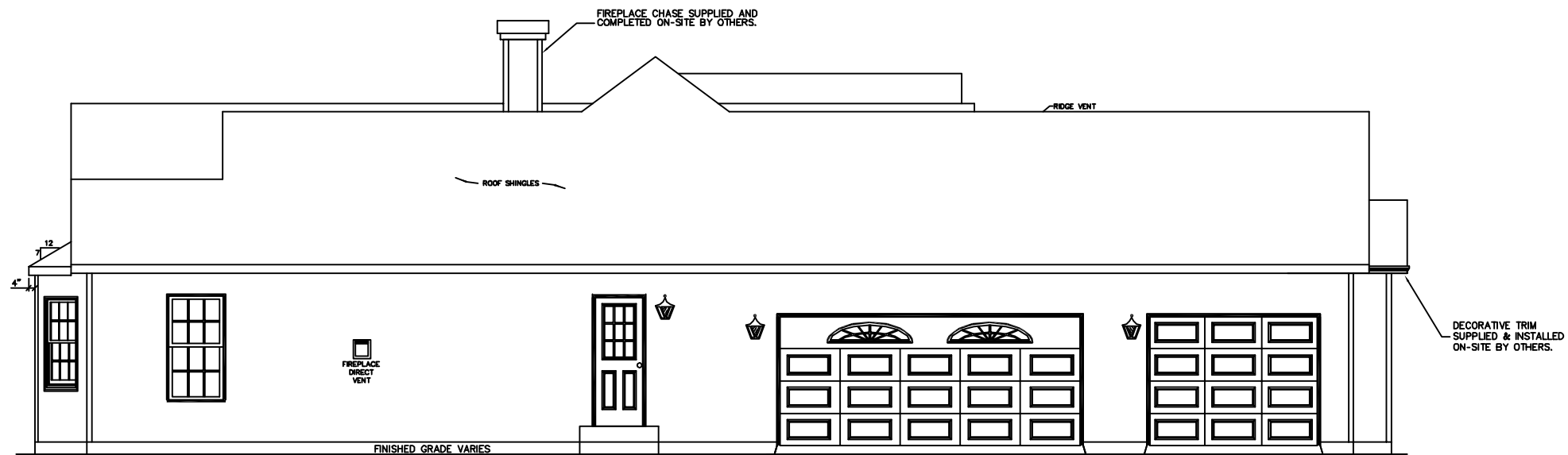
THIS DOCUMENT AND THE SUBJECT MATTER CONTAINED HEREIN IS PROPRIETARY AND MAY NOT BE REPRODUCED WITHOUT THE WRITTEN PERMISSION OF EXCEL HOMES LLC

CUSTOMER/PROJECT:	BUILDER:
-------------------	----------

REV#	DATE	REVISIONS	BY	CHECKED BY:

DRAWN BY: DATE: SCALE: 1/8" = 1'-0"

FILE:	
SQ.FT.:	2,760
STATE:	
TYPE:	
MODEL:	AFTON VILLA
DRAWING:	FRONT & REAR ELEVATIONS
SHEET:	4A



LEFT ELEVATION



RIGHT ELEVATION

excel
HOMES

WEB SITE:
EXCELHOMES.COM

COPYRIGHT © 2006

THIS DOCUMENT AND THE SUBJECT MATTER CONTAINED HEREIN IS PROPRIETARY AND MAY NOT BE REPRODUCED WITHOUT THE WRITTEN PERMISSION OF EXCEL HOMES LLC

CUSTOMER/PROJECT:

BUILDER:

REV#	DATE	REVISIONS	BY	CHECKED BY:

DRAWN BY: DATE: SCALE: 1/8" = 1'-0"

FILE:

SQ.FT.: 2,760

STATE:

TYPE:

MODEL:
AFTON VILLA

DRAWING:
LEFT & RIGHT ELEVATIONS

SHEET:
4B